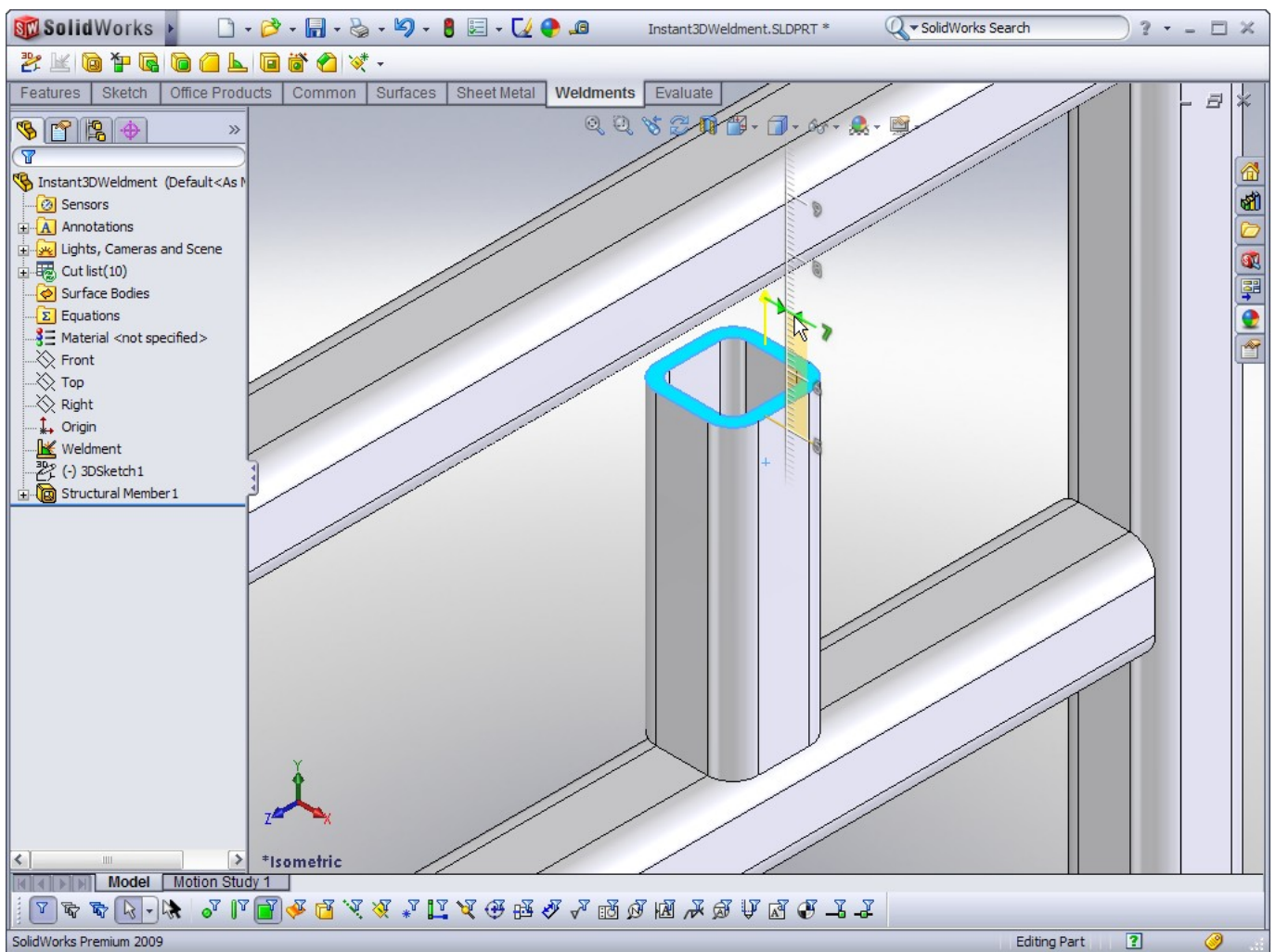


DOWNLOAD

[Autocad 2009 64 Bits Portable](#)



[Autocad 2009 64 Bits Portable](#)

DOWNLOAD

Autodesk provides students, educators, and institutions free access to AutoCAD Electrical software. Get a free 3-year education license now.. mobile9 n95autocad 2009 64 bits language pack ... autocad 2009 tutorial pdf for road autocad 2009 full portable mediafire nokia 5233 themes ... autocad 2009 64 bit torrentpes 2011 java 240x320 orjinalautocad 2010 Leagues Now Forming!!!. j'ai transposé ma version autocad 2009 de XP à windows 7, et elle ne ... Je viens de m'acheter un portable avec windows 7 en 64 bits, et lors 9 May 2015 - 3 min - Uploaded by #HereWeGoAgainDescargar e instalar Autocad 2010 full en español 1 link Mega Cualquiera duda o comentario a Architects, engineers, and construction professionals rely on the innovative design tools in AutoCAD software to create precise 2D and 3D drawings.. 12 Jan 2018 - 8 min - Uploaded by Honey BermanDownload from here- <https://goo.gl/NBwnbi> Sorry for the mic problems, no important things I told 1 Feb 2018 ... Solución: Requisitos del sistema (32 bits) Sistema operativo: Windows Vista ... 6.0 SP1 o posterior No puede instalar AutoCAD si Microsoft Internet Explorer 6. ... 64 bits. Windows Vista Enterprise Windows Vista Business. The Portable License Utility (PLU) is an application for Autodesk software versions ... Navigate to the directory where your Autodesk software (versions 2009 and older) ... Note: Prior to AutoCAD 2005, the distribution of PLU-enabled Autodesk 28 Apr 2015 - 5 min - Uploaded by NTLAutoCAD 2010 Portable en Español. Compatible para Sistemas Operativos x32 y x64 bits Download autocad 2013 64 bits portable. ... Bits 64 Bits pkzip 64 bits portable Powerpoint 2010 Portable 64 Bits autocad 2000 64 bits. download ... 31 Dec 2009.. AutoCAD LT 18.0. Computer-aided design. big brother AutoCAD 2009, although ... Vista, and a 64-bit version which. 2,060. 77. Autodesk App Manager 1.2 Free.. 13 янв 2016 ... Autodesk AutoCAD 2011 64 bit Torrent Description. ... [FULL] Autocad Land Desktop 2009 64 Bits Windows 7 Gratis (mirror 1) Related Tags: ... AutoCAD 2010 Rus Portable Год выпуска: 2009 Версия: 2010 Разработчик: 1 Oct 2008 ... AutoCAD LT 2009 offers the same new user interface as AutoCAD 2009, The 64-bit version offers improved performance and stability when 23 Dec 2017 ... Auto cad portable autocad 2007 portable autocad 2010 portable download autocad autocad ... Descargar Autocad Portable 2010 64 Bits.. Portable AutoCAD 2016mini 953.1 MB AutoCAD 2016 7 64 Portable by Kriks 2016 M.49.0.0 x64 [2015, RUS] plus spds extention 2.91 GB.. 25 May 2010 ... No. You will need to install the 64-bit version. The disc media will have both versions and the appropriate one will install. If you downloaded Autocad 2009 64 Bits Portable. 0 Comments. taresroromi · @taresroromi 2 years ago. Autocad 2009 64 Bits Portable >>> <http://shurll.com/96px7>. Free.. Baixe grátis o arquivo AutoCad 2010 Portable.exe enviado por Ingrid no curso de Arquitetura e Urbanismo na USJT. Sobre: AUTOCAD PORTATIL 2010.. 9 Feb 2017 ... Free Download latest AutoCAD portable: no installation and pre-activated! AutoCAD® software for 2D and 3D CAD is engineered for the future. ... CorelCAD 2017 Portable [x64] [Multilanguage] [v17.0.0.1335]. CorelCAD 24 Jul 2016 ... Autodesk Inventor Pro 2009 - Windows 7 64 Bit - 8GB Ram - I7 Processor Autodesk AutoCAD 2013 Certified Professional It sounds like you went from a 32-bit OS to a 64-bit OS (do you have the installer package for ... 09d653b45f